

WEIGHT CLASS

**1.1 TONNE**

| TB210R |



Takeuchi

Takeuchi

**STAGE V** ✓  
**<19kW** READY



# MICRO EXCAVATOR

**TAKEUCHI**  
Japanese for Reliability

# Takeuchi's New TB210R Micro - portable and powerful

The Takeuchi TB210R Micro is our smallest excavator weighing in at just 1180kg. Its micro dimensions enable it to pass through a normal doorway making it ideal when working with restricted access. Expands to wider tracks for added stability when digging and tracking.

The new micro has a 10% increase in both reach to 3220mm and dig depth to 1755mm. It's size and weight make it an easy trailer tow for convenience.

**STAGEV** ✓  
**<19kW** READY

## ADDED POWER

The TB210R has a 3 cylinder engine producing a 21% increase in power on the previous Takeuchi Micro.

Both arm and bucket breakout force has increased by 10% for greater operating performance.

Now with added Beacon power socket.

## ADDED HOSE PROTECTION

The top mounted hydraulic boom cylinder and internally routed hoses helps avoid potential site damage. One and two-way auxiliary hydraulic circuit, plumbed to the dipper arm, powers a wide range of attachments.

## EASY CONTROLS

The compact, stylish dashboard comes with travel, throttle and blade levers, ignition switch and warning lights..

Easy to drive - simple controls for any level or size of operator.

Well positioned foot pedals - left for auxiliary port and right for offset boom swing.

Dual Entry Points – Fold-out Joystick /Armrest for easy entry and exit from both the right and left side.

Operator's Station – Delivers excellent visibility and operator comfort while providing easy entry and exit.

Convenient Handle – makes it easy to enter and exit the machine from both the right and left side.





**MAXIMUM SERVICE ACCESS**

Fully opening engine cover, easy access to daily maintenance points and sight gauge for hydraulic oil level. Lockable tilt-back steel engine cover and swing-out side panel secures key parts, components and the diesel filler point.



**PROTECT YOUR INVESTMENT**

The TB210R now comes with the new TSS Takeuchi Security System as standard.



**PERFORMANCE**

- Expanding track frame adjusts from 750 to 1020mm to travel through narrow openings to offer greater operating stability.
- Quick change adjustable dozer blade to match expanded track width.
- One and two-way auxiliary hydraulic circuit, plumbed to the dipper arm, powers a wide range of attachments.
- Planetary final drives gives better tractive effort on difficult ground.
- Boom mounted work light for all working conditions.
- Reduced tail swing - The micro offers near zero tail swing with extended track position to operate in confined spaces.

**OPERATION**

- Fully servo controls for digging functions.
- Two-speed travel provides faster travel over long distances, improving job-site mobility and increasing productivity.
- 110° independent boom swing gives a wider working area.

**SAFETY & SERVICE**

- ROPS fitted as standard for added protection onsite. Simple rear fold down for easy access and transporting.
- Cast steel wraparound protective counterweight protects the machine and withstands bumps on site. 100% steel panels for the toughest sites.
- Standard safety features include; adjustable seatbelt, safety lockout lever for travel and operating controls.

**OPTIONS**

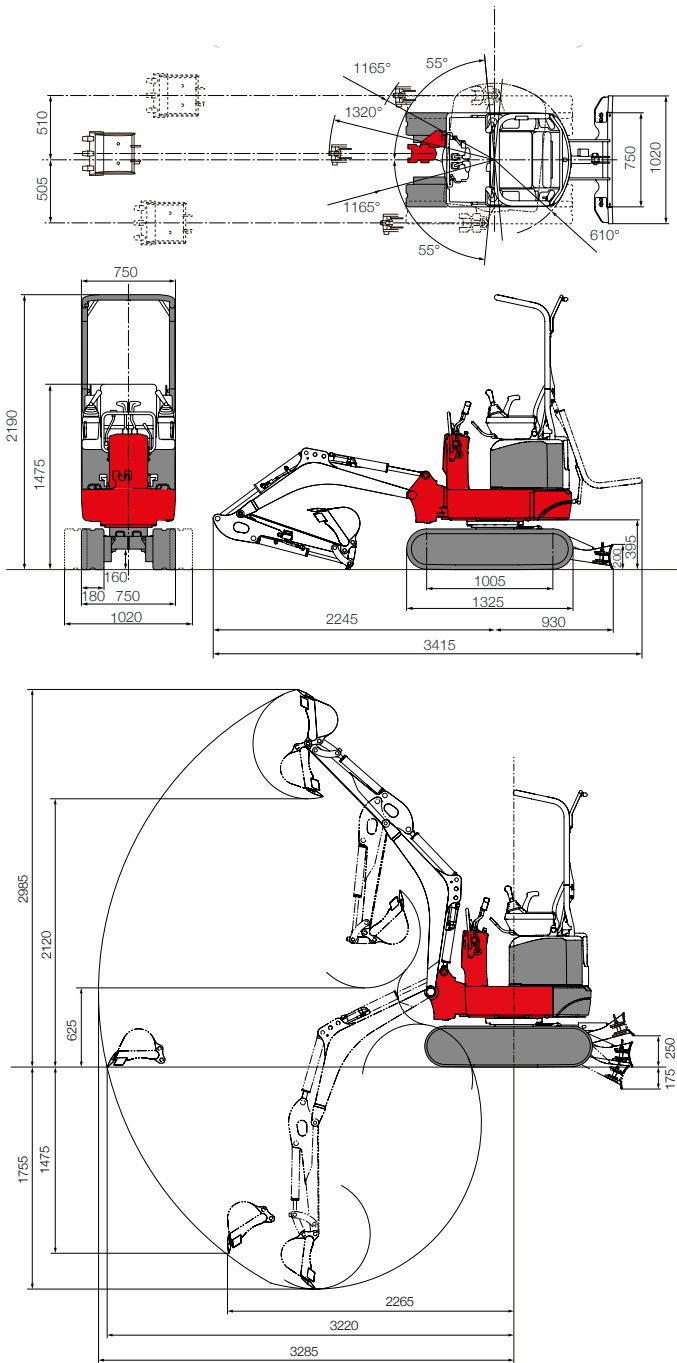
- TKB52 Hydraulic Breaker



**EXPANDABLE TRACK FRAME**

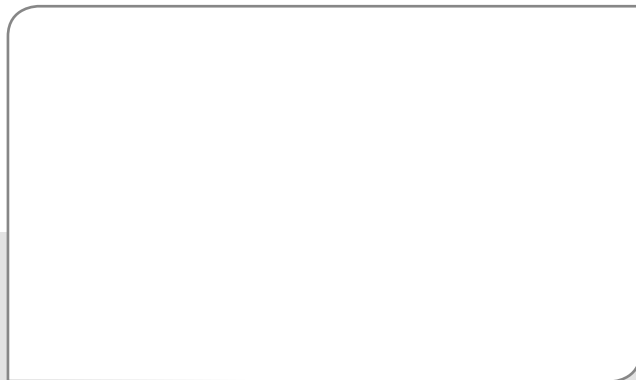
TB210R has a unique expanding track frame to adjust from 750mm to 1020mm allowing it to travel through narrow openings. Added track width then gives greater stability.





**For more information locally**

call us direct, or contact:



Takeuchi Mfg (UK) Ltd, Unit E2B Kingsway Business Park,  
John Boyd Dunlop Drive, Rochdale, Lancashire OL16 4NG  
Tel: 01706 657 722 Fax: 01706 657 744

Southern Depot at 20 Colthrop Business Park  
Colthrop Lane, Thatcham, Newbury, Berks RG19 4NB  
Tel: 01635 877 196 Fax: 01635 877 195

www.takeuchi-mfg.co.uk Email: sales@takeuchi-mfg.co.uk

**TB210R** Standard UK Specification Long Arm/Rubber Tracks

Engine	
Make	KUBOTA
Model	D722-E4B
Rated Output (kW)/rpm	8.8/2200
Maximum Torque (Nm)	36
Cylinders	3
Displacement (cc)	719
Electrical System	12 volt 36 amp

Dimensions & Weight	
Operating Weight inclusive of bucket and fuel (kg) with ROPS	1180
Overall Length (mm) for transport	2955
Width (mm) Extended Track	750 - 1020
Height (mm)	2190
Ground Clearance (mm)	160
Min. Radius with attachment (mm)	1320
Min. Radius at max. offset L/R (mm)	1165
Slew Radius (mm)	610
Dozer Blade W x H (mm)	750 - 1020 x 200

Operating Information	
Max Digging Depth (mm)	1755
Max Dump Height (mm)	2120
Max Reach at Ground Level (mm)	3220
Max Vertical Digging Depth (mm)	1475
Max Bucket Digging Force (kN)	11.2
Max Arm Digging Force (kN)	6.4

Hydraulic System	
Set Pressure (bar)	182
Pump Type	Gear x 2
Hydraulic Flow Aux Port (l/min)	22

Swing System	
Boom Swing Angle (L/R)	55°/55°
Slew Speed (rpm)	10
Slew Motor	Trachoid Gear
Slew Brake	Brake Valve

Undercarriage	
Traction Motor	Piston
Traction Drive	Epicyclic Gearing
Traction Brake	Disc
Track Width (mm)	180
Ground Contact Length (mm)	1005
Ground Pressure (kpa)	28
Travel Speed (km/h)	2.0/3.7
Maximum Gradeability	15°

Capacities	
Hydraulic System (l)	15
Fuel Tank (l)	12
Engine Lubrication (l)	2.8
Cooling System (l)	4

**OPTIONS:** TKB52 hydraulic breaker, hitches and bucket sizes from 150 - 750mm.

06/2020

Takeuchi machines come with a 2 year/2000 hours warranty as standard. Warranty exceptions to 1 year: fuel injection systems, electrical components, paint work and \*emission control items. (\*applicable models)

In accordance with our established policy of constant improvement, we reserve the right to amend these specifications at any time without notice. Photographs shown may feature non-standard equipment.